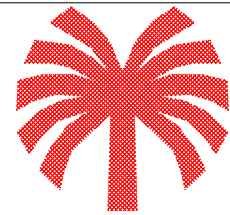
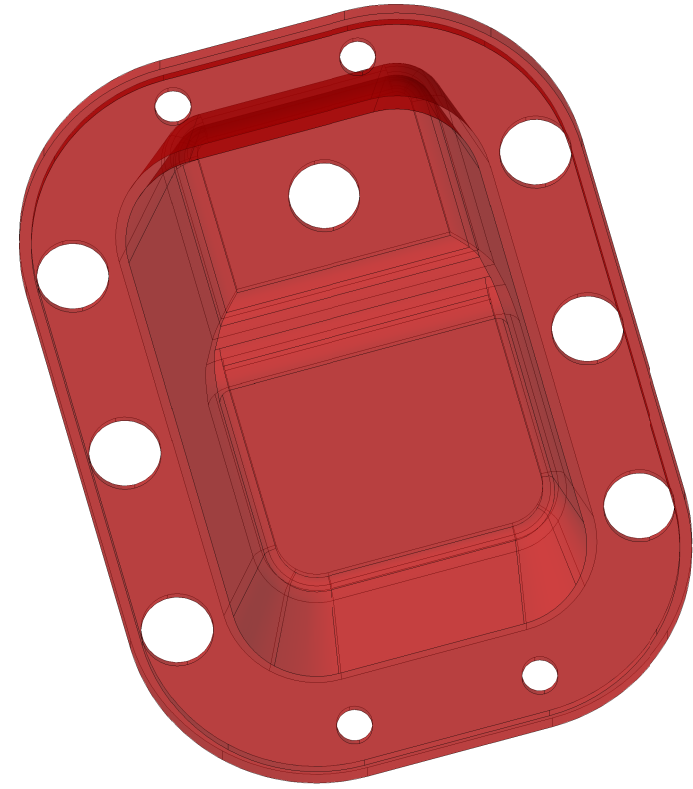
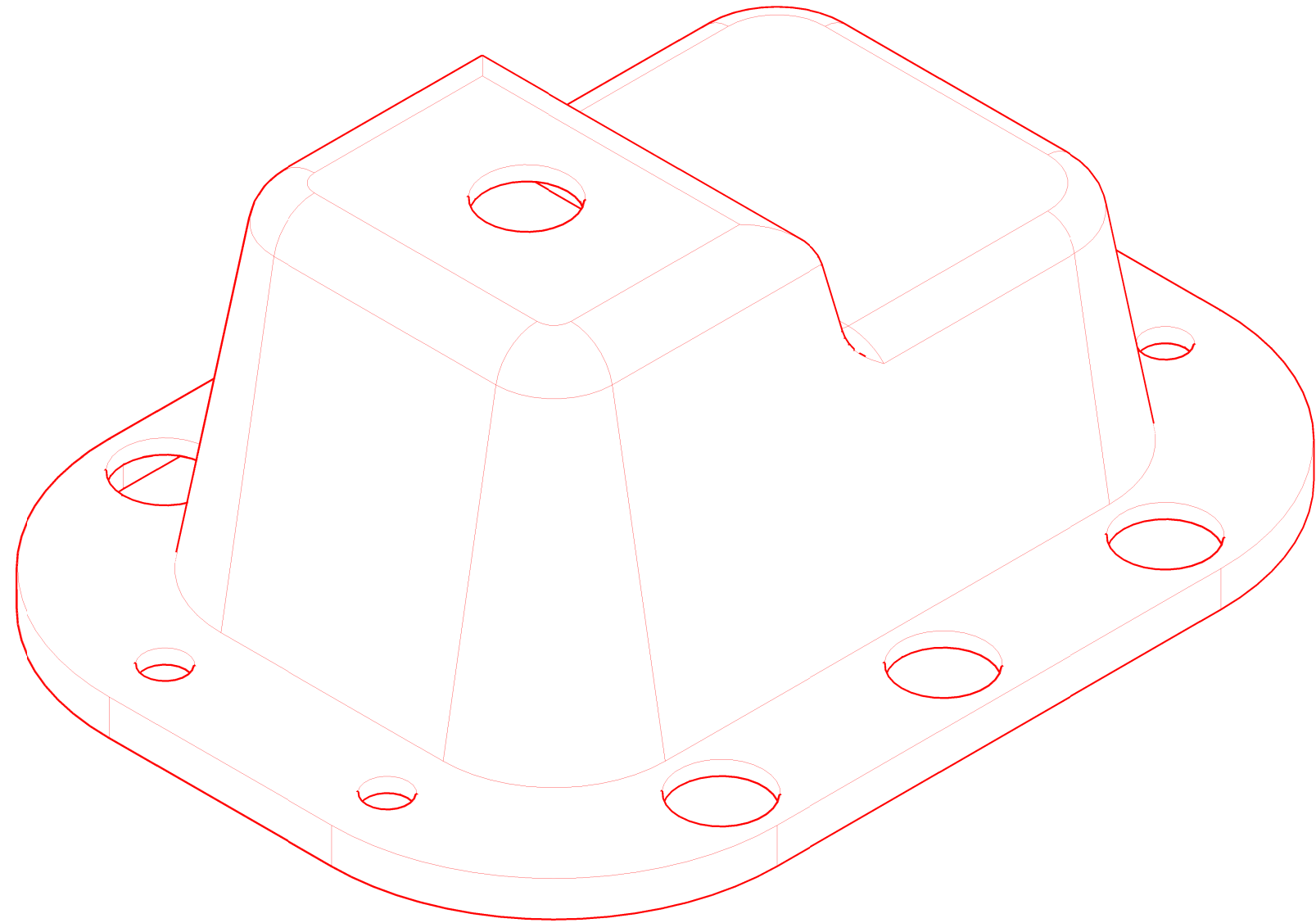


4/13/2026 9:33 PM



GLENDALE COMMUNITY COLLEGE

201-43-SINK

D MAC IVER  
04/02/2026

SIZE  
B

FSCM NO.

DWG NO.  
CAD201

REV  
1

SCALE 1:2

SHEET 1 OF 1